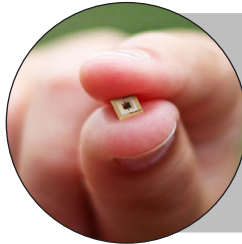


First UV-C LED Point of Entry Residential System



- State of the art UV-C LEDs
- > 99.99% pathogen reduction
- No chemicals; mercury-free



- UV Intensity monitoring as standard
- Instant on/off for intermittent flows
- No hot water shot after no flow conditions



- Low cost of ownership
- Reduced energy consumption
- Dynamic Power Control



- 5 year lamp replacement interval
- Reduced mineral fouling
- No handling of fragile lamps and sleeves



PearlAqua Deca is Tested and Certified by NSF International against NSF/ANSI REG4 for materials and structural integrity requirements.

NSF REG4 Product

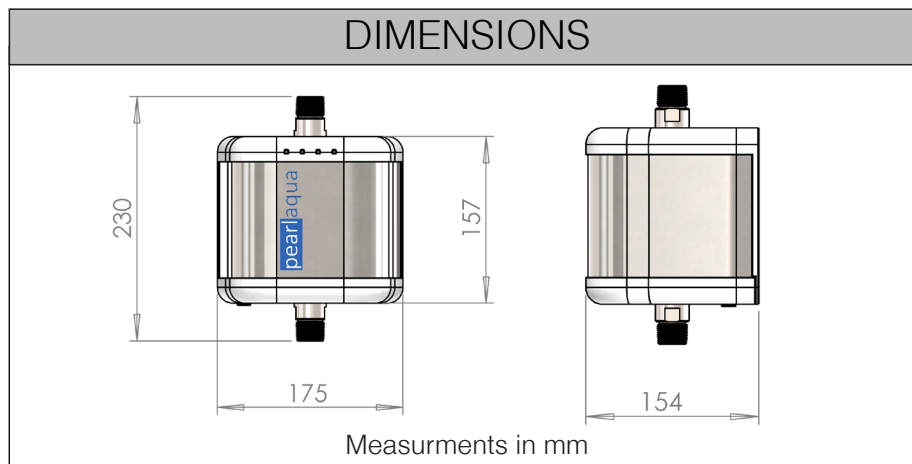
SPECIFICATIONS

Specifications provided as a guide. Specifications subject to change.

Product Name		PearlAqua Deca	
Model Number		24C4	
Max Flow [lpm (gpm)]	UV Dose	16	45 (12.0)
	(mJ/cm ²)	30	25 (6.5)
	@ 98% UV-T	40	19 (5.0)
Headloss at Max Flow [bar (psi)]		0.3 (4.5)	
Inlet/Outlet Water Connection		3/4" MNPT	
Weight [kg (lbs)]		4.2 (9.3)	
Max Operating Pressure [bar (psi)]		8.3 (120)	
Environmental Protection		IP65	
Lamp Replacement Interval		60 months @ 2.5 hours/day [5,000 hours]	
Max Ambient Temperature [°C (°F)]		45 (113)	
Water Temperature [°C (°F)]		0-30 (32-86)	
Input Voltage [V DC]		24 [110/240 AC power supply included]	
Input Power (flow variable) [W]		180 (max)	

Unit designed to be used on domestic cold water supply only

DIMENSIONS



Full in-house optical, electrical, and mechanical design capabilities.
ISO 9001:2015 certified manufacturing facility located in Kentucky, USA.



www.aquisense.com



+1.859.869.4700



4400 Olympic Blvd. Erlanger KY 41018 USA